

TracFeed® TDx-L

CHARACTERISTIC DATA

English

Variants

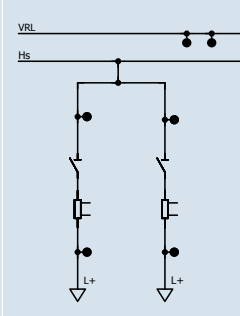
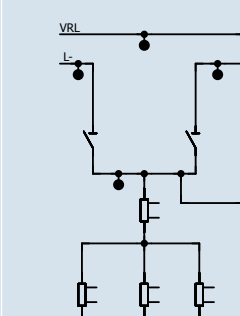
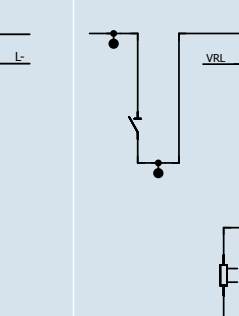
TracFeed®		TDA-L	TDB-L
Nominal voltage U_n^1	V	750	1 500
Rated voltage U_{Ne}^1	V	900	1 800
Rated insulation voltage U_{Nm}^1	V	1 200	2 300

Switch panel protection rating

	Standard protection rating	Maximum possible protection rating
Control and protection compartment	IP3x	IP54
Doors, side, rear wall	IP3x	IP31
Top	IP0x	IP31
Bottom	IP00	IP20

TracFeed® TDx-L SWITCH DISCONNECTOR PANEL (WIDTH 800 mm)

Technical data and rated values

Panel types		Incomer panel with disconnecter, motorised or manually operated	Negative return feeder panel with disconnecter, motorised or manually operated	Combined incomer and negative return feeder panel with disconnecter, motorised or manually operated
Panel dimensions (width x height ² x depth ³)	mm	800 x 2 200 x 1 200		
Main bus bar, I_{Ne}^1	A	2 000, 4 000, 5 000, 6 000		
Feeder / Incomer, I_{Ne}^1	A	2 000, 4 000		
Rated earth fault current I_{Ncwe}^1	kA	50 für 250 ms		
Example applications				

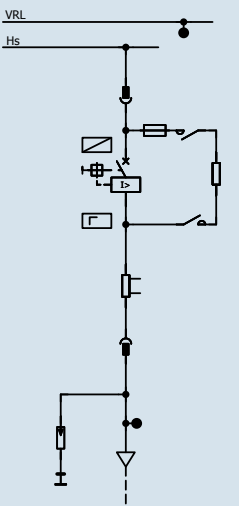
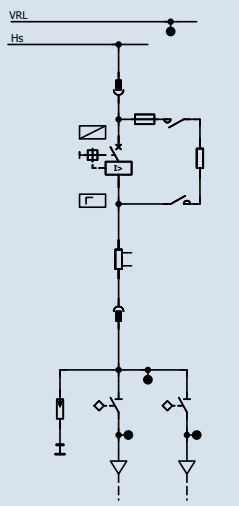
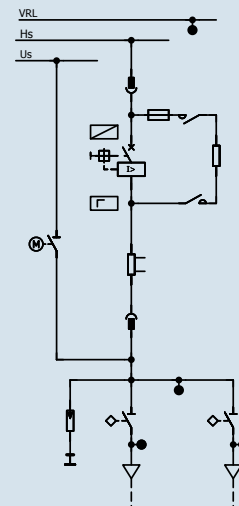
TracFeed® TDx-L CIRCUIT BREAKER PANEL (WIDTH 500 mm)

Technical data and rated values

Panel types		Line feeder panel	Line feeder panel with bypass disconnector	Bypass feeder panel	Two-pole line feeder panel
Panel dimensions (width x height ² x depth ³)	mm	500 x 2 200 x 1 200			
Main bus bar, I_{Ne}^1	A	2 000, 4 000, 5 000, 6 000			2 000 ⁴ , 4 000
Feeder / Incomer, I_{Ne}^1	A	2 000 2 600 4 000	2 000 2 600 4 000	2 000 2 600 4 000	1 000 2 000
Bypass bus bar, I_{Ne}^1	A		2 000 2 600 4 000	2 000 2 600 4 000	
Rated short-circuit current / peak of the short-circuit current $I_{Nss}^1 / \hat{I}_{SS}^1$	kA	bis 50 / 70 für $U_{Ne}^1 = DC 900 V$ bis 50 / 70 für $U_{Ne}^1 = DC 1 800 V$			
GE-Gerapid		Gerapid 2607 / 4207			
		HSCB by other manufacturers on request			
Rated earth fault current I_{Ncwe}^1	kA	50 für 250 ms			
Example applications					

TracFeed® TDx-L CIRCUIT BREAKER PANEL WITH CABLE CONNECTION PANEL (WIDTH 800 mm)

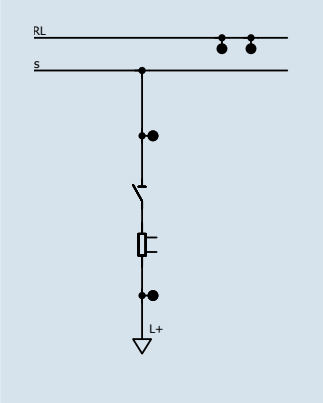
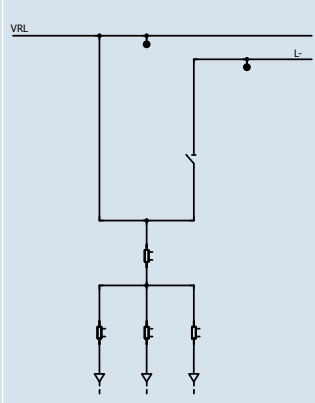
Technical data and rated values

Panel types		Line feeder panel with cable connection panel	... with cable disconnecter	... and bypass disconnecter
Panel dimensions (width ⁴ x height ² x depth ³)	mm	800 x 2 200 x 1 200		
Main bus bar, I_{Ne}^1	A	2 000, 4 000, 5 000, 6 000		
Feeder / Incomer, I_{Ne}^1	A	2 000 2 600 4 000	2 000 2 600 4 000	2 000 2 600 4 000
Bypass bus bar, I_{Ne}^1	A			2 000 2 600 4 000
Rated short-circuit current / peak of the short-circuit current $I_{Nss}^1 / \hat{I}_{SS}^1$	kA	bis 50 / 70 für $U_{Ne}^1 = DC 900 V$ bis 50 / 70 für $U_{Ne}^1 = DC 1 800 V$		
GE-Gerapid		Gerapid 2607 / 4207		
		HSCB by other manufacturers on request		
Rated earth fault current I_{Ncwe}^1	kA	50 for 250 ms		
Example applications				



TracFeed® TDx-L SWITCH DISCONNECTOR PANEL (WIDTH 500 mm)

Technical data and rated values

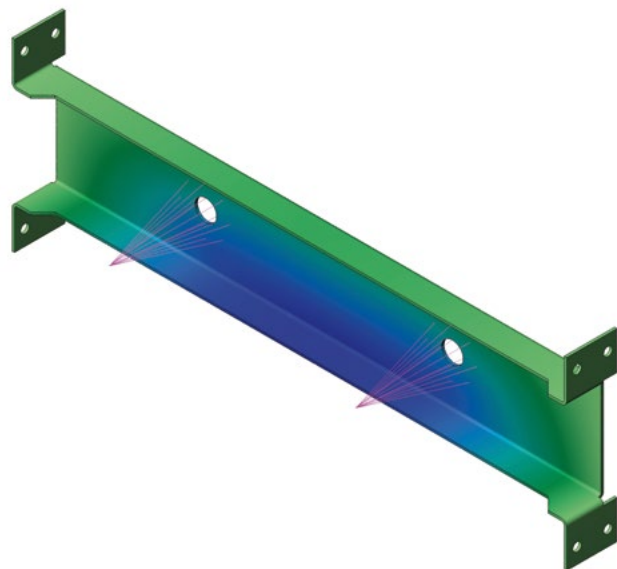
Panel types		Incomer panel with disconnector, motorised or manually operated	Negative return feeder panel with disconnector, motorised or manually operated
Panel dimensions (width x height ² x depth ³)	mm	500 x 2 200 x 1 200	
Main bus bar, I_{Ne}^1	A	2 000, 4 000, 5 000, 6 000	
Feeder / Incomer, I_{Ne}^1	A	2 000, 4 000	
Rated earth fault current I_{Ncwe}^1	kA	50 for 250 ms	
Principle circuit diagram example			

Comments:

- 1 According to EN 50123-1
- 2 + 65 mm label plate and interconnection main duct
- 3 Frame depth
- 4 The effective panel width is 801.5 mm due to a metal intermediate wall

Legend:

- Hs main bus bar
 Us bypass bus bar
 VRL Negative return potential connection



© 2016 All rights reserved by Rail Power Systems GmbH.

The specifications set out in this document apply to popular applications. They do not represent performance limits. This means that divergent specifications may be attained in specific applications. The contractually agreed specifications alone shall apply. We reserve the right to effect technical modifications. TracFeed® is a registered trademark of Rail Power Systems GmbH.

RAIL POWER SYSTEMS GMBH

Garmischer Straße 35 | 81373 Munich | Germany | T +49 89 41999-0 | F +49 89 41999-270 | info@rail-ps.com | www.rail-ps.com